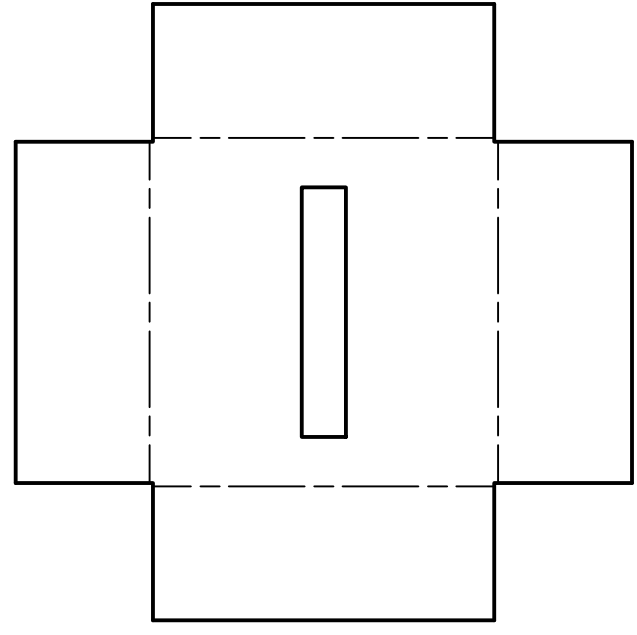
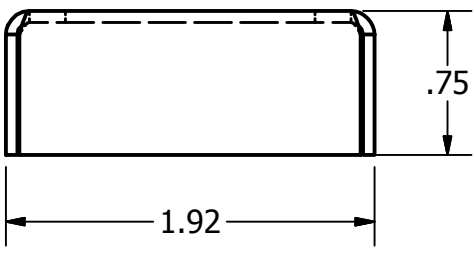
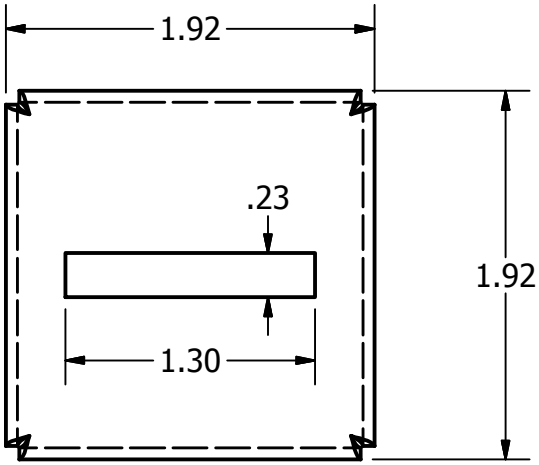
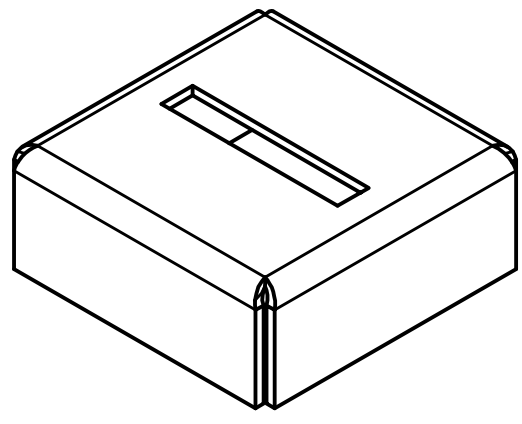


2

1



FLAT PATTERN

B

B

A

A

A

A

DRAWN EMK	8/31/2015	TITLE <b>9225-316 INTERMEDIATE POST FOOT COVER</b>		
CHECKED				
QA		SIZE <b>A</b>	DWG NO	REV
MFG		SCALE 1 : 1		SHEET 1 OF 1
APPROVED				

2

1